



Fused and Non Fused Disconnect Switches

Features - Specifications

- 600V AC & 250V DC
- Compact design
- Built-in fuse pullers on 30A and 60AJ type
- Accepts up to four auxiliary contact blocks
- 100kA withstand with class J & CC fuses
- Offers Type 2 protection when proper fuses are selected
- Meets service entrance requirements
- UL listed, CSA certified
- Fuse is isolated when switch is open (contact breaks both sides of fuse)
- International markings
- Meets applicable standards of IEC, VDE, & BS when supplied with proper fuse clips
- Handle complies with OSHA lockout and tagout requirements
- Handle can be locked in on/off position
- Handle interlocks with enclosure door to prevent unauthorised entry
- Line side terminal shield is standard, supplied with device
- Optional load side terminal shield
- Optional fuse cover
- Power terminals: 30 amp - #14 to #8, 60 amp - #14 to #
- Auxiliary contact terminals: #14 to #12
- Mechanical endurance 10,000 operations for J30 to J100, 8,000 operations for J200

CATALOGUE NUMBER	CONT AMP	FUSE TYPE				RATINGS/MAXIMUM HORSEPOWER							
		UL CLASS	CSA	MAX FUSE	FUSE OPER CHAR	3 PHASE AC				1 PHASE AC		DC	
						200	240	480	600	120	240	125	250
65017-1	30	CC	①HRCI-MISC	30	TD	5.0	5.0	10.0	10.0	0.75	2.0	2.0	3.0
					NTD	5.0	5.0	10.0	10.0	0.75	2.0	2.0	3.0
65018-1	30	J	HRCI-J	30	TD	7.5	7.5	15.0	20.0	2.0	3.0	3.0	5.0
					NTD	3.0	3.0	5.0	7.5	0.5	1.5	2.0	5.0
62288-1	30	②NON-FUSED	②NON-FUSED	②NON-FUSED	TD	7.5	7.5	15.0	20.0	2.0	3.0	3.0	5.0
					NTD	3.0	3.0	5.0	7.5	0.5	1.5	2.0	5.0
62235-1	60	J	HRCI-J	60	TD	15.0	15.0	30.0	50.0	3.0	10.0	5.0	10.0
					NTD	7.5	7.5	15.0	15.0	1.5	3.0	5.0	5.0
62236-1	60	②NON-FUSED	②NON-FUSED	②NON-FUSED	TD	15.0	15.0	30.0	50.0	3.0	10.0	5.0	10.0
					NTD	7.5	7.5	15.0	15.0	1.5	3.0	5.0	5.0
62393-1	100	J	HRCI-J	100	TD	30.0	30.0	60.0	75.0	-	15.0	-	20.0
					NTD	15.0	15.0	25.0	30.0	-	7.5	-	20.0
62413-1	100	②NON-FUSED	②NON-FUSED	②NON-FUSED	TD	30.0	30.0	60.0	75.0	-	15.0	-	20.0
					NTD	15.0	15.0	25.0	30.0	-	7.5	-	20.0
62414-1	200	J	HRCI-J	200	TD	60.0	60.0	125.0	150.0	-	25.0	-	40.0
					NTD	25.0	25.0	50.0	60.0	-	15.0	-	40.0
62415-1	200	②NON-FUSED	②NON-FUSED	②NON-FUSED	TD	60.0	60.0	125.0	150.0	-	25.0	-	40.0
					NTD	25.0	25.0	50.0	60.0	-	15.0	-	40.0

① CSA HRCI-MISC fuses must also be listed as UL class CC fuses.

② Non-fused disconnect switches must be used with separately installed UL listed class J or T fuses, or CSA certified HRCI-J, HRCI-T.



OPERATING SHAFTS

Catalogue Number	Shaft Length	Enclosure Working Depth		Description
		Minimum	Maximum	
65004-1	6 ¹⁷ / ₃₂ " (166)	6" (152)	10 ¹⁵ / ₆₄ " (260)	Standard operating shaft for 30A & 60A disconnects
65005-1	14 ¹¹ / ₆₄ " (360)	6" (152)	17 ⁷ / ₈ " (454)	Extended operating shaft for 30A & 60A disconnects
62416-1	7 ⁷ / ₈ " (200)	6 ¹³ / ₁₆ " (173)	11 ²¹ / ₃₂ " (296)	Standard operating shaft for 100A & 200A disconnects
60793-3	12 ¹⁹ / ₃₂ " (319)	6 ¹³ / ₁₆ " (173)	16 ¹⁵ / ₆₄ " (430)	Extended operating shaft for 100A & 200A disconnects supplied with outrigger mounting supports. See page 39 for details

AUXILIARY CONTACTS

Catalogue Number	Type		Description	Maximum Current		
	Position	Configuration		Amperes	Make	Break
65006-3 65006-4	Inner Inner	1 Normally Open 1 Normally Closed	Single-pole auxiliary contact 30 & 60 Amp only	120V AC	60	6.00
65007-2 65007-4	Outer Outer	1 Normally Open 1 Normally Closed	Single-pole auxiliary contact	240V AC	30	3.00
65006-1 65006-2	Inner Inner	2 Normally Open 2 Normally Closed	Two-pole auxiliary contacts 30 & 60 Amp only	480V AC	15	1.50
65007-1 65007-3	Outer Outer	2 Normally Open 2 Normally Closed	Two-pole auxiliary contact	600V AC	12	1.20

An inner contact must be attached to the fused disconnect for 30 & 60 amp fused disconnects first. Outer contacts can then be stacked to the inner one. The 100 & 200 amp disconnects use outer contacts only.

AUXILIARY CONTACT TERMINAL SHIELDS

Catalogue Number	Description
65027-1	Auxiliary contact terminal shields (standard: 2 shields per package)

DISCONNECT SWITCH TERMINAL SHIELDS

Catalogue Number	Type	Description
65015-1 62248-1 62401-1 62377-1	30A 60A 100A 200A	Terminal shields for use on either line or load side of disconnect switch

FUSE COVERS

Catalogue Number	Type	Description
65008-1 65009-1 62285-1 62394-1 62376-1	30A Class CC and Non-Fused 30A Class J and 30A HRCI-J 60A Class J and Non-Fused 100A Class J and Non-Fused 200A Class J and Non-Fused	Fuse Covers



Tech-Spec Fused Disconnect Switch Accessories

OPERATING HANDLES

Catalogue Number	Colour	Description
62339-4 62339-4RY	Black Yellow/Red	Nema 4, 4X, 30A & 60A rotary handle with defeat to enable panel entry while power on
62417-1 62417-1RY	Black Yellow/Red	100 & 200 Amp pistol grip handle Nema 3R & 12, simple on/off
62417-10 62417-10RY	Black Yellow/Red	100 & 200 Amp pistol grip handle Nema 3R & 12 on/off with padlock facility

Note: Appropriate gasketing provided with the respective handles for rated Nema protection

SHORTING LINKS

Catalogue Number	Type	Description
65003-1 65035-1 62412-1 62421-1	30A 60A 100A 200A	Shorting links for non-fused applications

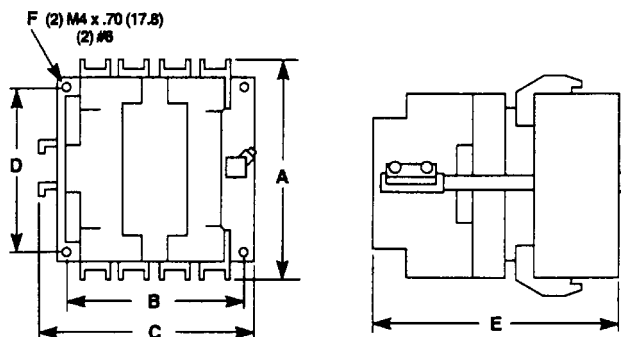
LUG KITS

Catalogue Number	Type	Description
62475-1	100A	3 mechanical connectors (screw type pressure connector)
62476-1	200A	3 mechanical connectors (screw type pressure connector)

Fused Disconnect Switch Dimensions and Assemblies

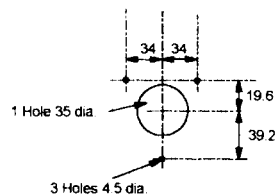
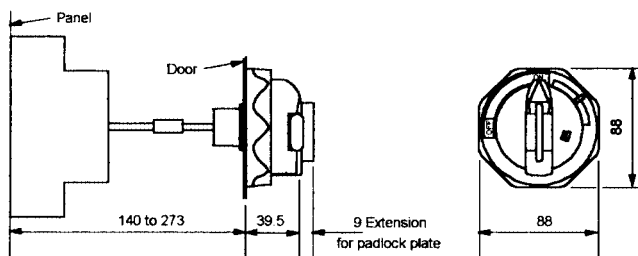


FUSED DISCONNECT SWITCHES PRODUCT DIMENSIONS - () indicates mm dimensions



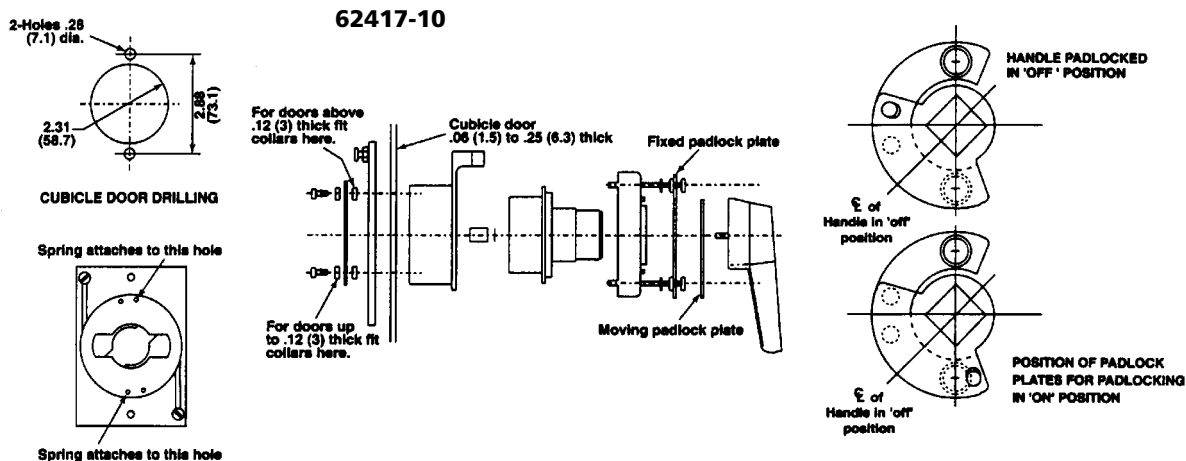
CATALOGUE NUMBER	DISCONNECT SWITCH DIMENSION REFERENCES					
	APPROXIMATE DIMENSIONS					
	A	B	C	D	E	F
67FSJ30	4 ¹⁹ / ₆₄ " (109)	3 ²² / ₆₄ " (85)	4 ² / ₆₄ " (110)	3 ¹⁵ / ₆₄ " (82)	5 ¹⁵ / ₆₄ " (133)	M4
67FSC30 67FSN30	4 ¹⁹ / ₆₄ " (109)	3 ²³ / ₆₄ " (85)	4 ² / ₆₄ " (110)	3 ¹⁵ / ₆₄ " (82)	4 ¹³ / ₃₂ " (112)	M4
67FSJ60 67FSN60	4 ² / ₃₂ " (118)	4 ²³ / ₃₂ " (120)	5 ¹⁹ / ₃₂ " (142)	3 ¹⁵ / ₁₆ " (100)	4 ²⁵ / ₃₂ " (121)	M4
67FSJ100 67FSN100	6 ² / ₃₂ " (169)	6 ⁷ / ₃₂ " (158)	7 ¹ / ₆₄ " (182)	4 ⁹ / ₆₄ " (105)	4 ²⁹ / ₆₄ " (125)	M6
67FSJ200 67FSN200	9 ²⁷ / ₃₂ " (250)	8 ² / ₃₂ " (220)	9 ¹⁷ / ₃₂ " (242)	5 ²⁹ / ₃₂ " (150)	7" (178)	M8

TYPE HS 2000 NEMA 4 X RATED HANDLE WITH PADLOCK FACILITY FOR 30A AND 60A SWITCHES



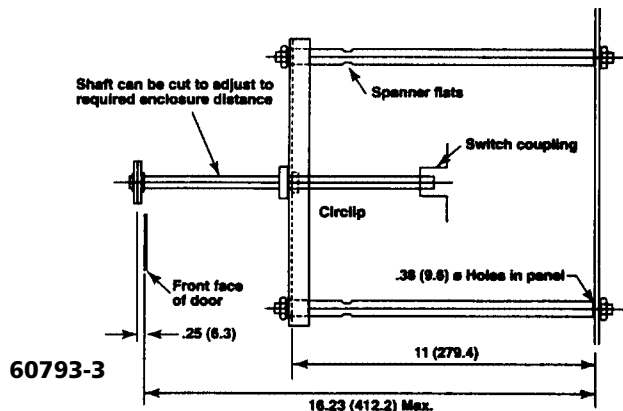
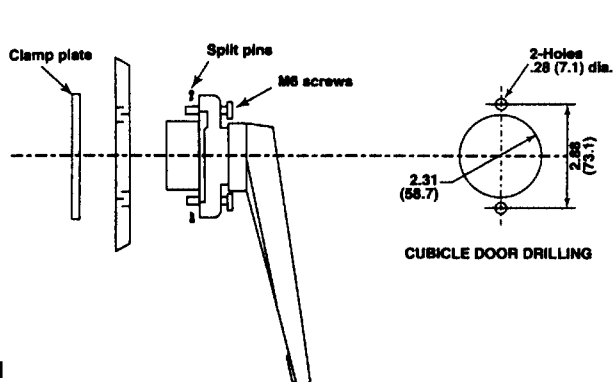
DOOR DRILLING PLAN

TYPE HK NEMA 3R & NEMA 12 RATED HANDLE WITH PADLOCK FACILITY



Note: Gasket kit supplied with handle not shown

TYPE HK NEMA 3R & NEMA 12 HANDLE



62417-1

Specifications are subject to change without notice