

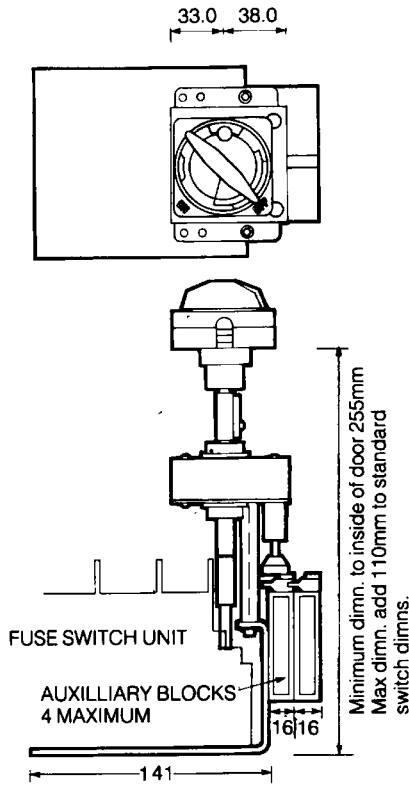
# Technical Data

Dimensions in millimetres

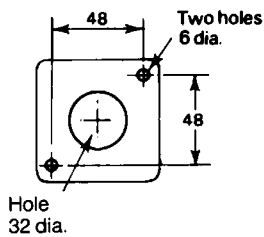


## TEST SWITCHES

### UFS32A1 32 & 63

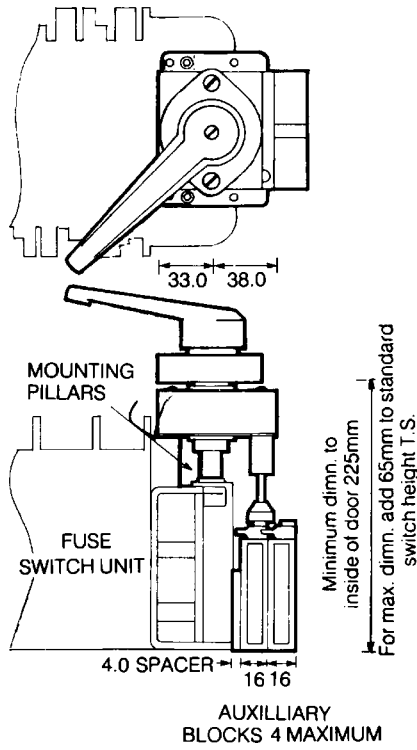


### HS HANDLE DOOR DRILLING

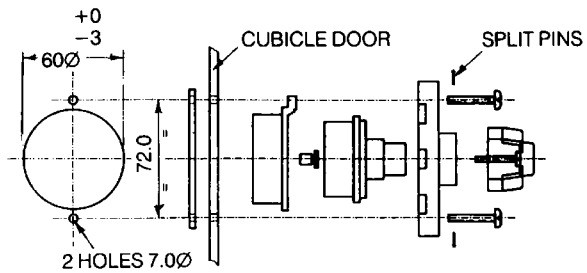


For HS 2000 Door Drilling see page 21

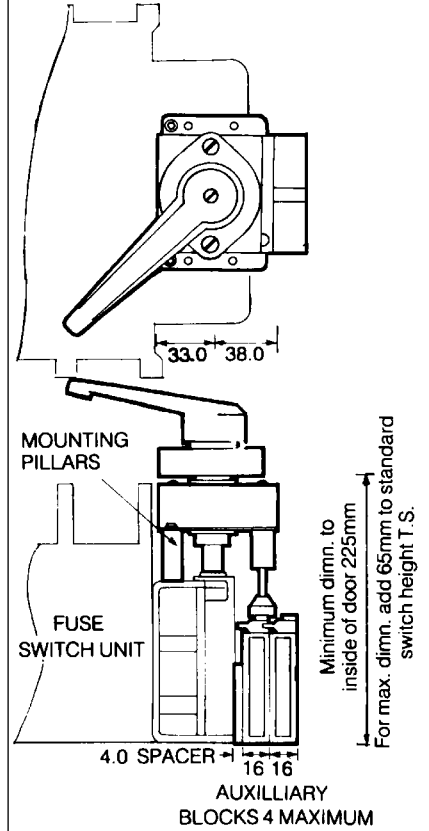
### UFS100A3 to UFS160AC22



### HK HANDLE DOOR DRILLING



### UFS200 to 400



## FLAG INDICATORS

### UFS32A1 to UFS630

