



Technical Data

Dimensions in millimetres

OPERATING HANDLES

ROD & BALL

With or without figure lock
UFS100A3 to UFS400

For UFS630 to UFS800 see HK Handles section

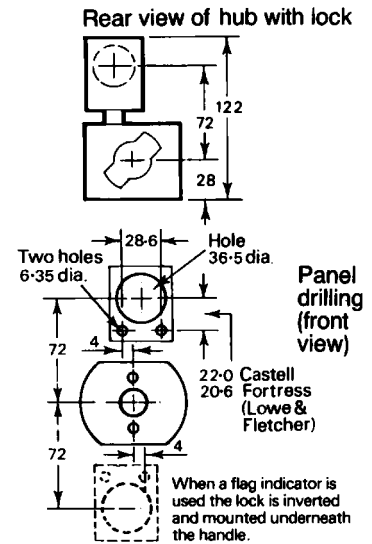
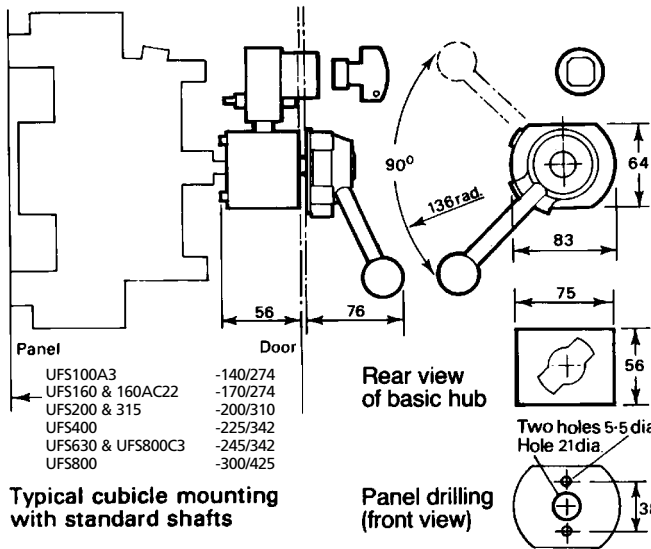
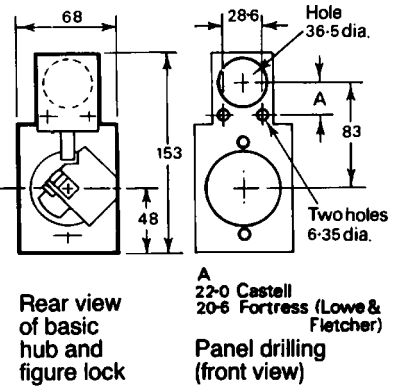
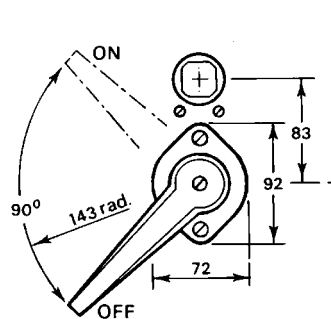
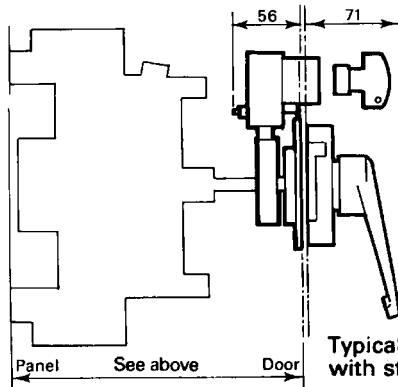


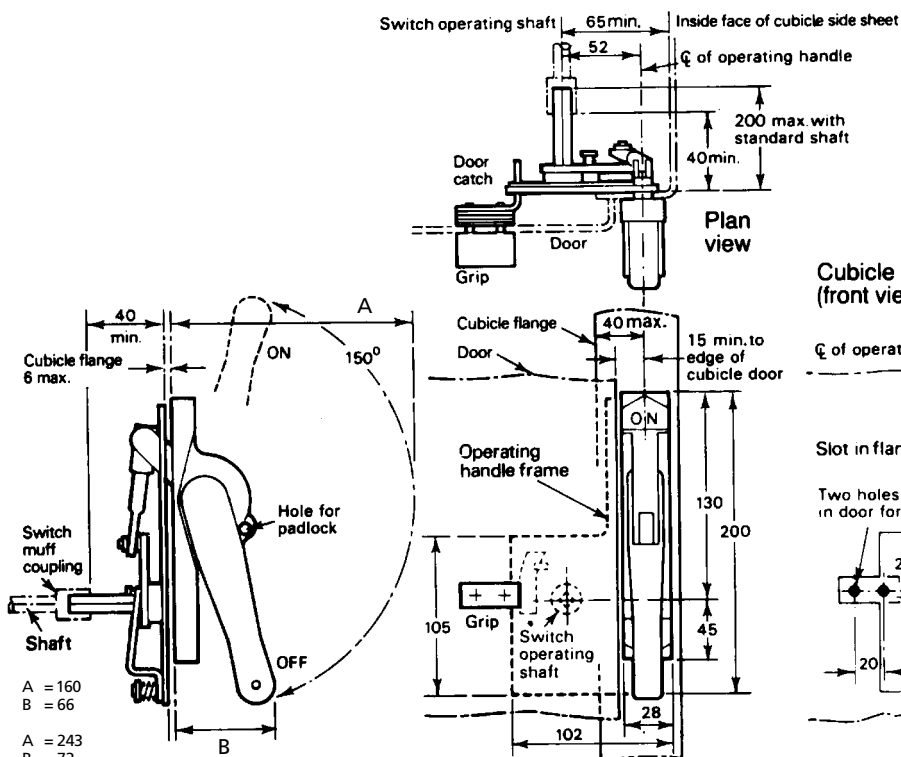
FIGURE LOCK MOUNTING

For TYPE HK1

For Rod & Ball see above



TYPE FK2 FLANGE



UFS32A1 to UFS400

A = 160

B = 66

UFS630 to UFS800C3

A = 243

B = 72