

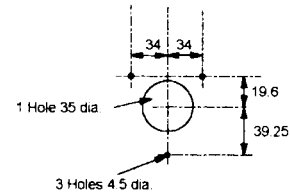
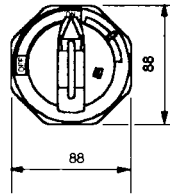
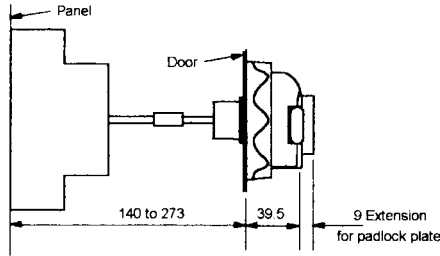
Technical Data

Dimensions in millimetres



TYPE HS2000

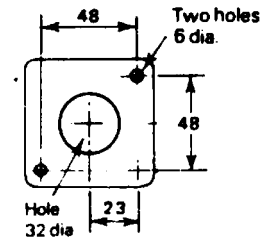
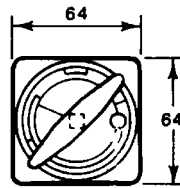
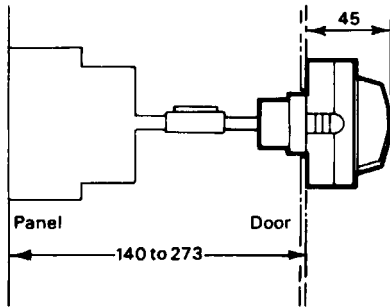
For UFS32A1, UFS32 & UFS63 switches



DOOR DRILLING PLAN

TYPE HS

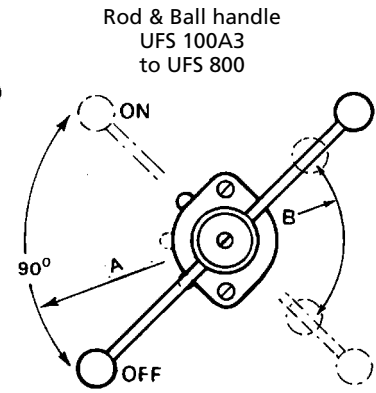
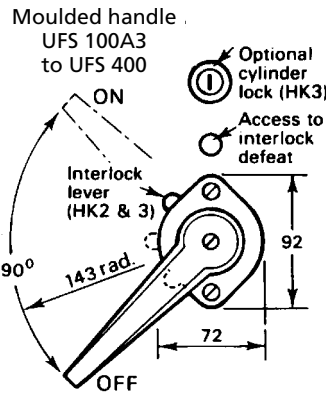
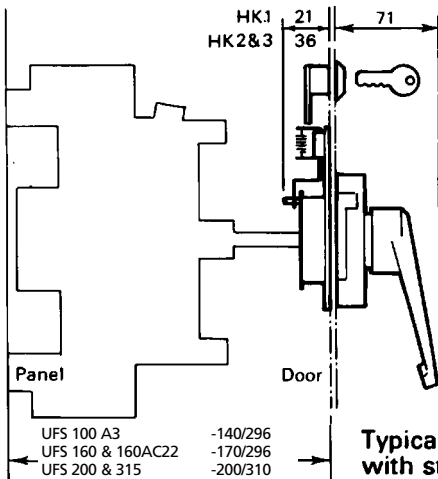
For UFS32A1 32 & 63 switches



Panel drilling (front view)

TYPE HK

For use with UFS100A3 to UFS800 switches

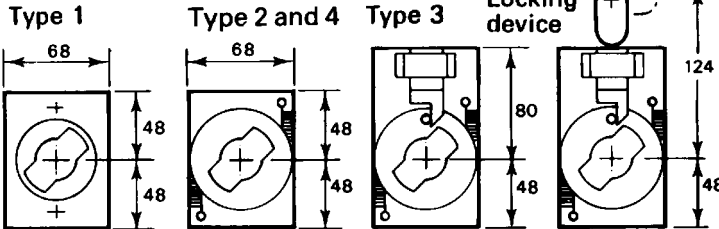


UFS 100 A3	-140/296
UFS 160 & 160AC22	-170/296
UFS 200 & 315	-200/310
UFS 400	-225/342
UFS 630 & UFS800C3	-245/342
UFS 800	-300/425

Typical cubicle mounting with standard shafts

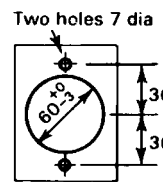
UFS 100 A3-400	A = 143
UFS 630-800	A = 230
ASYMETRIC	A = 230
	B = 112

Rear views of hub mechanisms

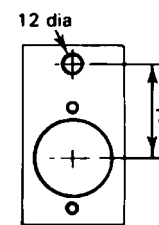


Panel drilling (front views)

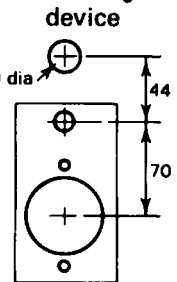
Types 1, 2 & 4



Type 3

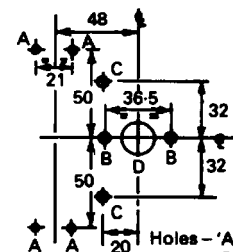
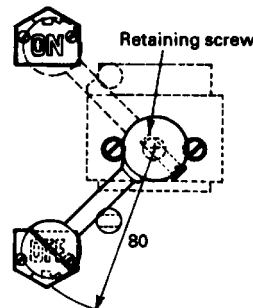
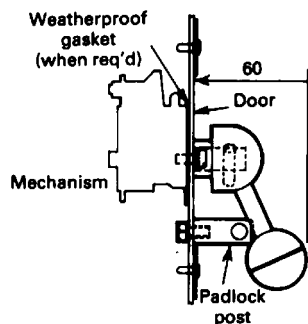


Locking device



ROD & BALL

For UFS32A1 32 & 63 switches



Door drillings

Holes - 'A' - 2.5 DIA.
'B' - 4.5 DIA.
'C' - 5.5 DIA. (as req'd)
'D' - 17.5 DIA.