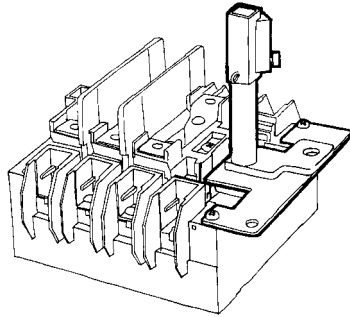


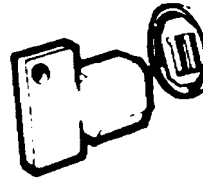
Shaft Padlock Kit



Functions

- Switch in OFF position Padlock can be inserted
- With Padlock inserted switch cannot be operated
- Switch in ON position Padlock cannot be inserted

Figure Lock Interlocking Kit

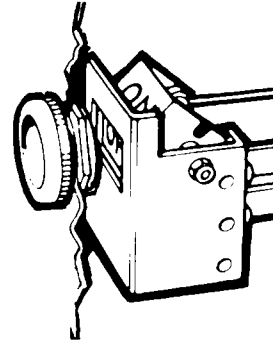


Notes

- Interlocking CAM and fixing kit for HK
- Fixing Kit only for Rod & Ball handles
- Locks not supplied

For dimensions see page 22

Flag Indicators



Functions

- Positive indication of switch position
- Depth adjustable
- Mounted on power pole side of switch
- **Note:** when flag fitted to UFS32-63 the max.number of auxiliary blocks is limited to 3 outer blocks only

For dimensions see page 23

	For Basic Switch	For Basic Switch with Test Switch fitted	For HK Handles	For Rod & Ball Handles	Flag indicator is supplied c/w window and bezel
UFS 25NFC	61936-3	62390-1	-	-	62378-1
UFS 32A1					
UFS 32					
UFS 32NFC	61936-2	62390-1	-	-	62378-1
UFS 63					
UFS 63NFC					
UFS 63NH	Included in Basic Switch Design	62512-1	60898-1 Note 1:	61955-1	62027-1
UFS 100A3					
UFS 100NH					
UFS 160					
UFS 160AC22					
UFS 160NH					
UFS 200					
UFS 250NH					
UFS 315					
UFS 400					
UFS 400NH					
UFS 630					
UFS 630NH					
UFS 800C3					
UFS 800	62509-1	-	62260-1	62260-1	-
					62027-2

Note 1: For 6 pole UFS200 / UFS250NH / UFS315 use 60898-5